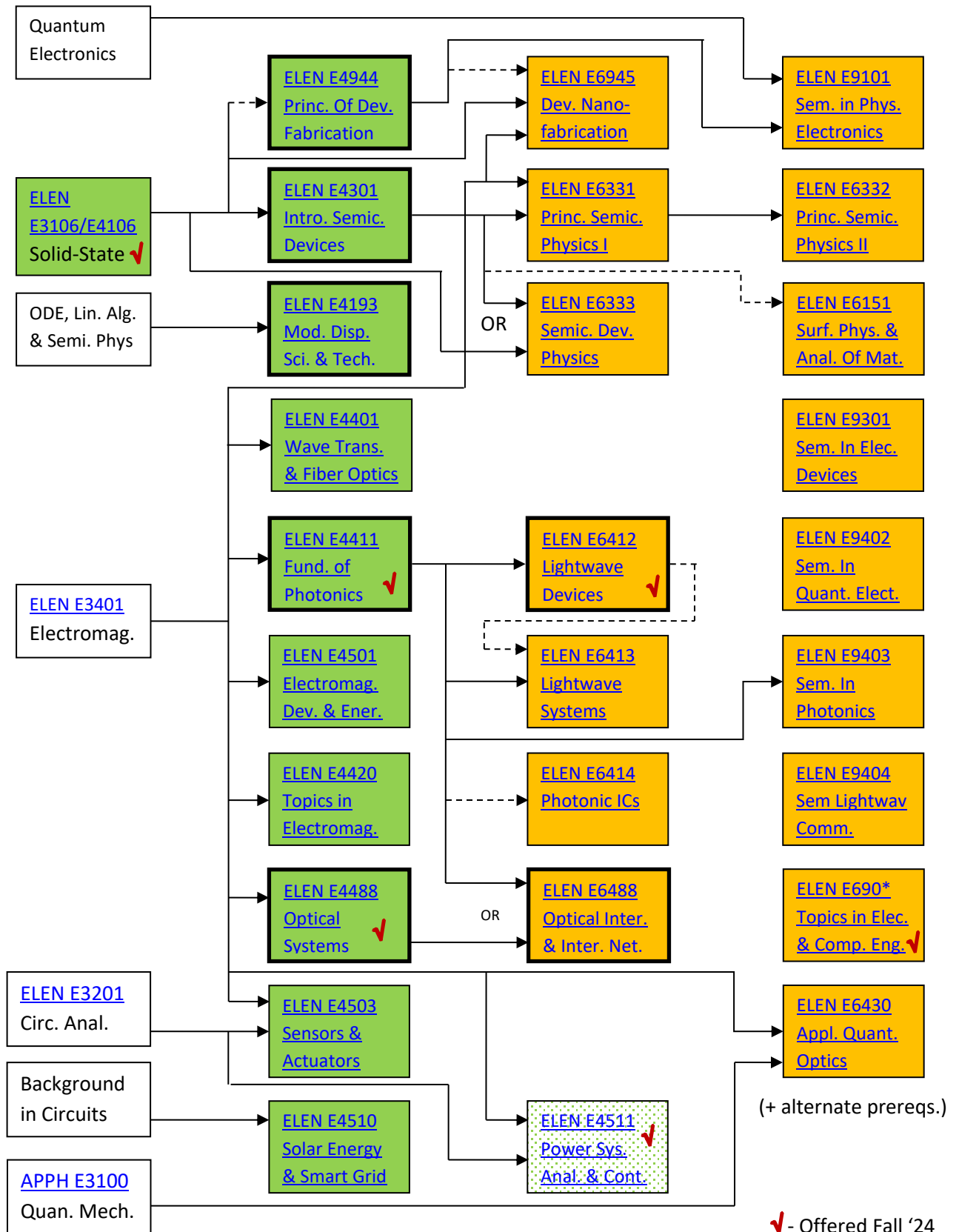


INTEGRATED DEVICES & PHOTONICS
Senior/graduate & Advanced graduate courses in EE



Green = Senior/grad; Orange = Advanced graduate; Bold border = offered regularly;
Dotted lines = recommended preparation; **Updated July 2024**

Recent related topics courses: ELEN E6901 Topic: Energy Storage for the Electric Grid (Fall '24, '23)
ELEN E6904 Transceiver Arch. for xG Wireless Comm. (Fall '24)
ELEN E6907 Topic: Emerging Nanoelectronic Devices (Fall '19, '17-'13)
ELEN E6909 Topic: Motor Drive Systems (Fall '24)