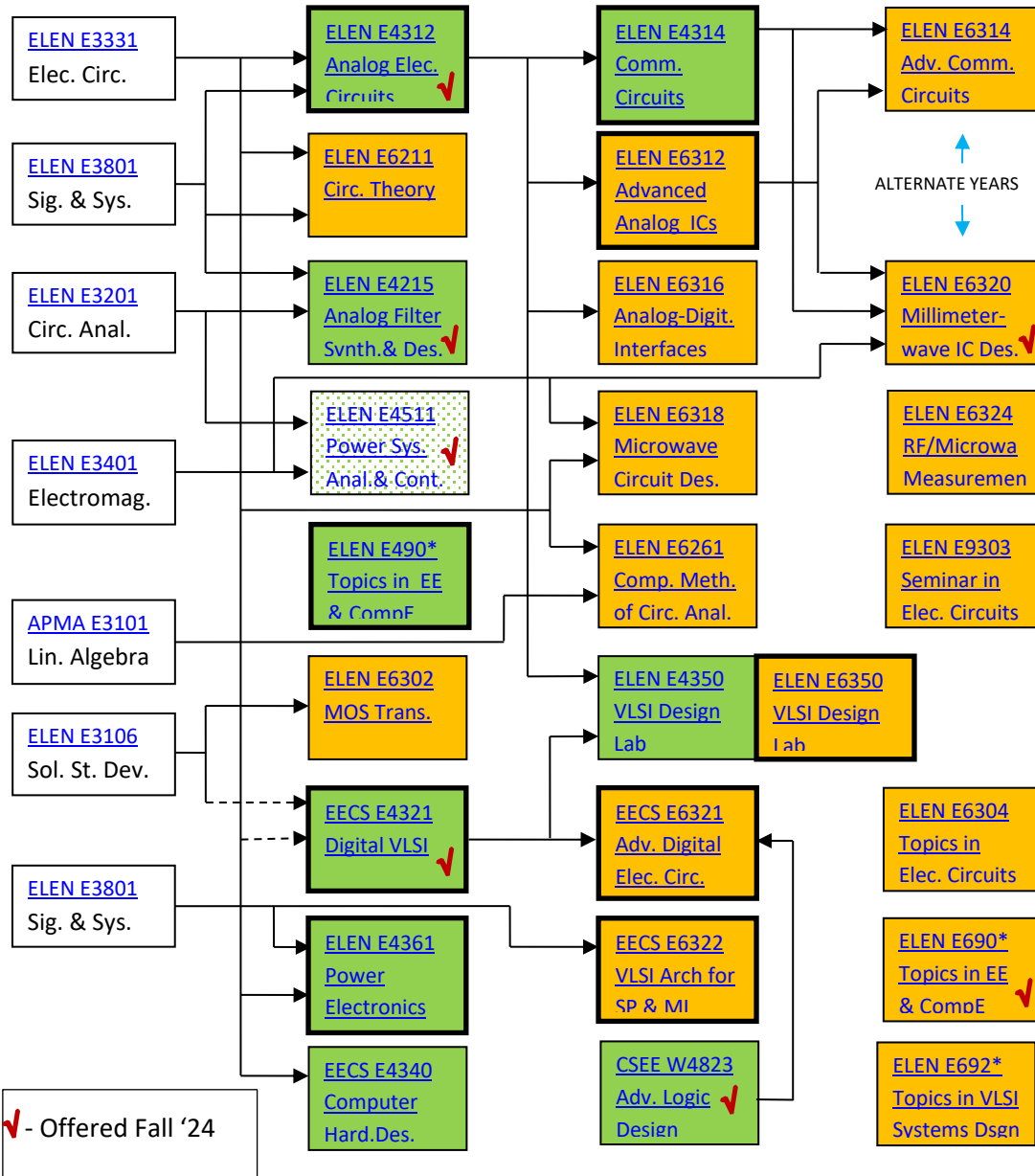


INTEGRATED CIRCUITS AND SYSTEMS & ELECTRONICS

Senior/graduate & Advanced graduate courses in EE



Green = Senior/grad; Orange = Adv. graduate; Bold border = offered regularly;
 Attached courses = shared lectures; Updated June 2024

Recent topics for ELEN E6304, ELEN E6920, & other related topics courses: (Red=Offered Fall '24)

ELEN E4901 Topic: Photovoltaic Sys Eng and Sustain (Fall '23-21)
 ELEN E4904 Topic: Battery Management Systems (Fall '22)
ELEN E6901 Topic: Energy Storage for the Elec. Grid (Fall '24, '23)
 ELEN E6903 Topic: Nanoelectronic Device Simulations (Fall '19)
 ELEN E6903 Topic: TPC: Advanced Topics in IC Design (Spring '21)

ELEN E6904 Transceiver Arch. for xG Wireless Comm. (Fall '24)
 ELEN E6908 Topic: Cyber-Physical Systems (Spring '19)
ELEN E6909 Topic: Motor Drive Systems (Fall '24)
 ELEN E6920 Topic: Mod Pwr Mngmt Interg Cir (Fall '23-'21)